

Pure Performance™ through Aqua Power Technology™

C6 Aqua Power



High performance utensil, pot & pan washer
with sensor-controlled dishwashing mode

Pure Performance™ through Aqua Power™

- + triple the power
- + twice the wash result
- + easy to use

Aqua Power Technology masters the flow, pressure, and shape of water for a blasting cleaning effect on pots, pans, and utensils.

Combined with a small amount of detergent and secured temperatures it washes hygienically clean in a matter of minutes, offering superior wash results with a minimum use of time and resources.

An easy, sustainable, and economical pot washing solution that minimizes pre-washing.

This is
Aqua Power Technology:



Triple the power

Aqua Power offers up to triple the wash power compared to traditional pot and utensil washers on the market.

Through clever engineering it creates the perfect washing conditions by combining the right size tank, pump, and nozzles which releases the full cleaning potential in regular water.

Twice the wash result

Aqua Power cancels out the majority of pre-soaking and scrubbing needs and delivers twice the wash result in half the time, compared to the market's leading brands of water-based pot washers.

This saves time for the operator and boosts productivity in the entire ware washing process.

Easy to use

Aqua Power is designed to be easy for anyone to use; just load items and push the button. It doesn't get much easier than that!

The operating panel offers two efficient wash programs, and favors symbols and infographics for a plug & play solution. No need for extensive or repetitive operator trainings.

New!

Now with sensor-controlled dishwashing mode

Take care of all your wash needs in one single solution and replace the need for a separate dishwasher.

Thanks to smart sensor technology, C6 Aqua Power detects what type of basket is loaded into the machine and automatically selects the appropriate wash program for your wares: powerful Aqua Power mode for heavy duty pots and pans, and regular dishwashing for mixing bowls, plastics, utensils, and serving ware.

Operates with the versatile, stainless steel basket Pro Wash Basket, and standard 500 x 500 mm dishwashing racks.

C6 Aqua Power™

Minimize pre-washing – boost productivity

Convincing pot wash results:
Clean in 2:30 minutes
without pre-washing

C6 Aqua Power

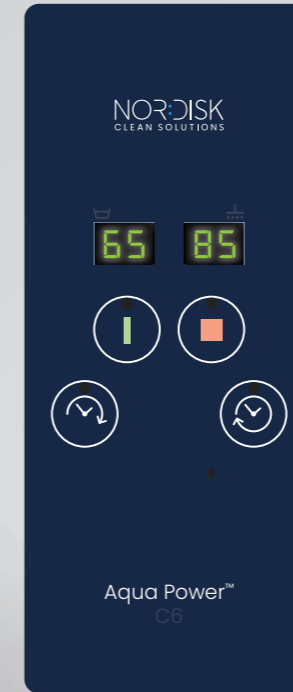
Aqua Power™ Technology
150 seconds

Compared to leading brands:

Regular water-based pot/pan washer
150 seconds



Laboratory testing of common ware washers. A mixture of food was baked onto GN trays in 160 °C for 45 minutes, then washed in each model's standard wash cycle for 150 seconds.



New!

Sensor-controlled
Dishwashing Mode
replaces need for separate under-counter/hood



Less chemicals

Saves on average 1.3 litres per day, adding up to 390 litres per year.



Less water

Saves on average 936 litres per day, adding up to 280,000 litres per year.



Less energy

Saves on average 35 kWh per day, adding up to 10,500 kWh per year. Add EcoExchanger® to save even more.



Less time

Cleans your pots and pans in 2 min. 30 sec* without pre-washing.



More user-friendly – less operator training

- + Control panel at eye level
- + 2 pot wash programs
- + 2 dishwash programs – activated by plastic basket
- + Large clear buttons and symbols
- + Red/green operating lamps for remote status reading
- + View wash and rinse temperatures in the display
- + Integrated USB port for easy export of HACCP log files



Ergonomic

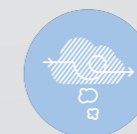
The fold-out lower hatch acts as a built-in loading table for the basket, offering quick loading and unloading and helps minimize heavy lifting. Add more baskets and trolleys for added speed, flexibility, and further optimized working conditions.

At the end of the shift, the hatch can be lowered to a vertical position, easing both day to day cleaning of the machine's interior, as well as service and maintenance.



Food safety

Wash programmes comply with the hygiene guidelines of the EN 17735:2023 standard.



Steam reduction or EcoExchanger® ?

Steam reduction is included in standard delivery. EcoExchanger® on the other hand is an optional add-on, and cleverly combines steam reduction and heat recovery in one. Improves the working environment and saves up to 40% of the energy needed for heating the rinse tank.

Plug & Play Standard Delivery

Included:

- ✓ 3ph, 400–415V, 50Hz, 17.2kW, 32A
- ✓ Steam reduction
- ✓ Type AB airgap according to EN1717
- ✓ Integrated dosing with peristaltic pumps for rinse aid and liquid detergent
- ✓ USB port for easy export of HACCP logs
- ✓ Pro Wash Basket (1 pc)
- ✓ Plastic dishwash rack 500x500 mm (1 pc)
- ✓ Scraper (1 pc)

Optional add-ons:

- + Other voltage options
- + EcoExchanger
- + GD Link
- + Marine Edition
- + Related accessories

* Optional EcoExchanger will add 60 seconds to the cycle duration.
The savings calculations are based on a sample site preparing 1,000 hot meals per day and 300 operational days per year. The comparison features manual washing in sinks compared to washing in C6 Aqua Power: 50% Short, 50% Normal wash cycle. Calculations are based on pot washing, only.



Unique productivity with Pro Wash Basket

This multi-purpose round wash basket offers loading possibilities for Gastronorm containers, pots and pans, as well as grids, baking sheets, and cutting boards. The net basket insert holds whisks, ladles, spoons and other smaller utensils.

Supports up to 7 GN 1/1, 65 mm deep, or 2 GN 2/1 up to 100 mm, or 12 GN 1/4, 1/6, 1/9 and a multitude of similar items.



Smart detachable and movable utensil holder.

How it works:



Related accessories

Increase capacity, speed up flow, and make kitchen life easier by adding a basket trolley and extra baskets to your C6 Aqua Power.



Explore accessories:



C6 Aqua Power – technical specifications

General

Design	Frontloaded ware washer with sensor-controlled dishwashing mode. Operates with rotating stainless steel basket or standard plastic wash rack.
Outer dimensions (H x W x D)	1,736/2,079 (± 25) x 1,025 x 957/1,317 mm
Loading volume	220 litres (ø 700 mm x H 570 mm)
Weight (filled / empty)	457 kg / 323 kg
Wash tank volume	108 litres
Rinse water volume	4 litres
Wash water temperature	65 °C
Rinse water temperature	85 °C
Sound pressure level (pot wash)	65.2 dB(A) ISO 11203

Programs & capacity

Wash programs	Aqua Power mode: Short: 2 min, 30 sec / Long 4 mins Dishwash mode: Short: 1 min, 30 sec / Long 2 mins, 30 sec
Max. / normal capacity per hour (normal capacity incl. handling)	Standard Edition: 168 / 126 GN1/1 or similar in other pots Dishwash mode: 40/33 500x500 mm wash baskets
Capacity per program	7 GN1/1 or GN 1/2 65 mm depth or 3 GN1/1 or GN 1/2 up to 200 mm depth, and 3 GN1/1 or GN 1/2 up to 65 mm depth, or similar in other pots.

Electrical connection

Voltage	3- 400-415 V/50 or 60Hz + PE 3- 380 V/50 or 60Hz + PE
Fuses (at output 12.2 kW)	25 A (400-415 V / 380 V)
Fuses (at output 17.2 kW)	32 A (400-415 V / 380 V)
Max output (water inlet 55-65 °C)	12.2 kW
Max output (water inlet 5-65 °C)	17.2 kW
Wash pump motor – Aqua Power mode	2.2 kW
Wash pump motor – dishwash mode	0.7 kW
Rinse pump motor	0.11 kW
Heater wash tank*	9 kW at output 12.2 kW (14 kW at output 17.2 kW)
Heater rinse tank*	9 kW at output 12.2 kW (14 kW at output 17.2 kW)
Enclosure rating	IPX5

Water connection

Hardness/Connection	Total hardness: 3-7 °dH, 5-12 °TH, 53-125 PPM / ¾" BSP male (DN20) <i>Note: Reverse osmosis/distilled water must not be used.</i>
Connection A	12.2 kW unit: 1-6 bar, 15 l/min, 55-65 °C 17.2 kW unit: 1-6 bar, 15 l/min, 5-65 °C
Connection F	12.2/17.2 kW w. steam reduction: 3-6 bar, 15 l/min, < 20 °C
Connection F (EcoExchanger, option)	17.2 kW with EcoExchanger: 1-6 bar, 15 l/min, < 20 °C

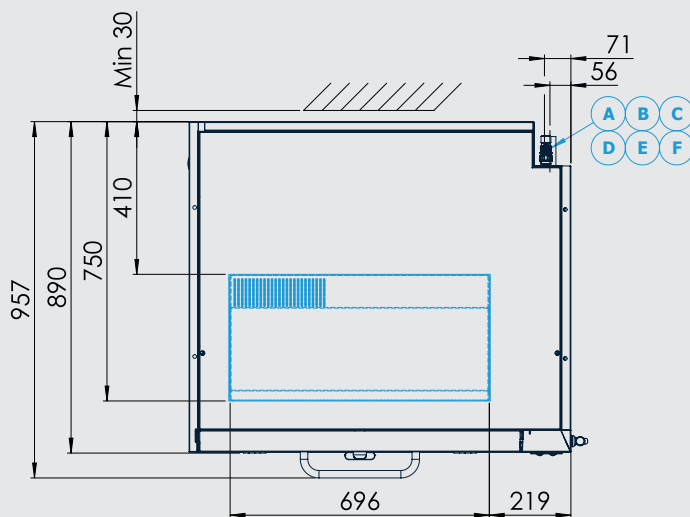
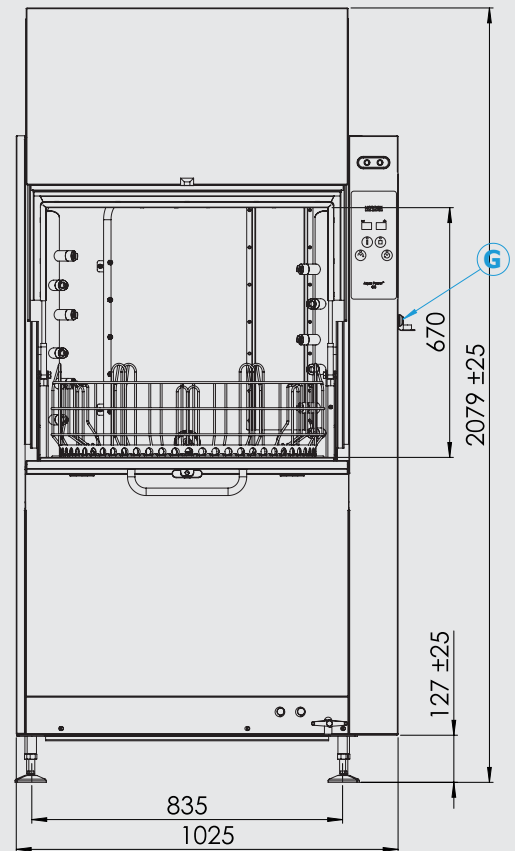
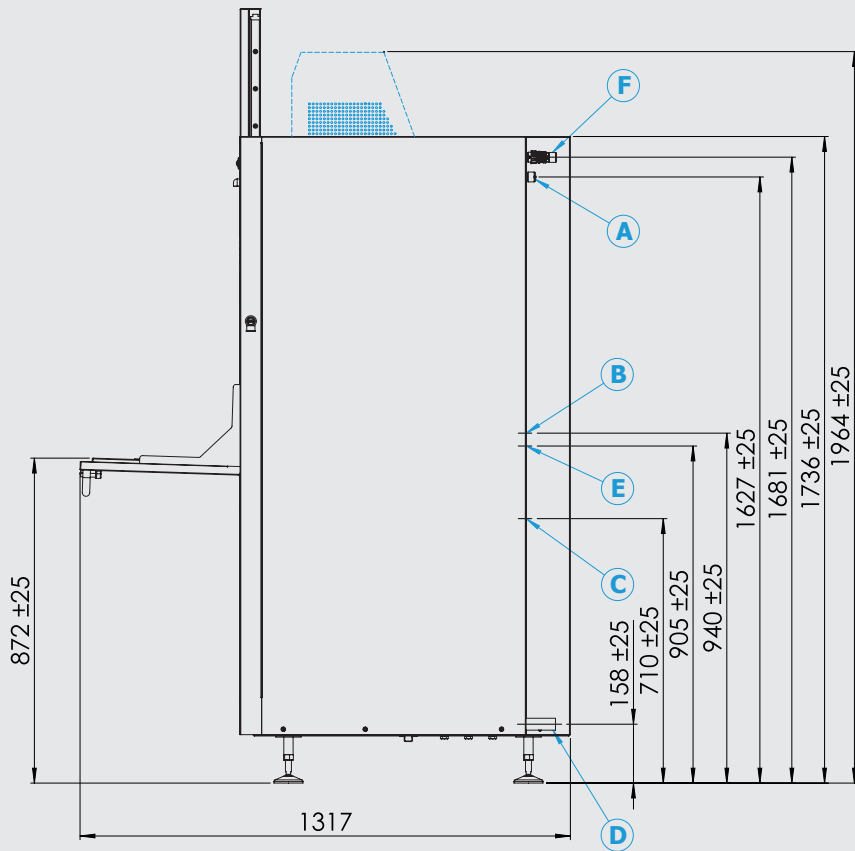
Drain & ventilation

Ventilation with steam reduction	200 m³/h
Ventilation without steam reduction	500 m³/h
Ventilation with EcoExchanger®	100 m³/h
Heat emitted to room with steam reduction (total/sensible/latent)	1.7 kW / 0.8 kW / 0.9 kW
Heat emitted to room without steam reduction (total/sensible/latent)	2.4 kW / 0.8 kW / 1.6 kW
Heat emitted to room with EcoExchanger® (total/sensible/latent)	1.3 kW / 0.8 kW / 0.5 kW
Drainage pipe	Pipe Ø 32 mm
Drain	Capacity requirement 50 l/min. No drain pump, gravity drain. <i>The machine must not be placed directly over a drain.</i>
Detergent and rinse aid	Required. 230 VAC signal is available from a separate box. Max load total 0.5 A.

* Not in use simultaneously.

C6 Aqua Power – technical drawings

(mm)



- (A) (F) Water inlet
- (B) (E) Detergent/rinse aid
- (C) Electrical
- (D) Drain
- (E) USB port